

Product Fact Sheet

# Herman Collection



ferm  
L I V I N G





# Herman Dining Chair - Wooden Frame

Design by Herman Studio

## Product details

Manufactured in Latvia  
Registered design

## Dimensions

Total height: 75.5 cm / 29.7 in  
Width: 47.5 cm / 18.7 in  
Depth: 46 cm / 18.1 in  
Seat height: 45 cm / 17.7 in  
Weight: 4 kg / 8.8 lb (without upholstery)  
4.2 kg / 9.3 lb (seat upholstered)  
4.5 kg / 9.9 lb (fully upholstered)

## Materials and construction

Backrest/seat: Natural oak, painted ash, dark stained or white oiled beech veneer  
Upholstered seat/back: Birch veneer upholstered with PU foam and fabric or leather  
Frame: Natural solid oak, painted solid ash, dark stained or white oiled solid beech  
Glides: Plastic or felt glides  
FSC™ Mix certified wood

## Care

Please see fermiving.com for care and maintenance instructions

## Packsize

2

## Attention

This seating is tested to meet relevant strength and durability standards  
Tests are based on a person's weight of 110 kg / 242 lb

## Test

EN 16139:2013  
Furniture - Strength, durability, stability and safety  
Requirements for non-domestic seating

## Foam fire rating:

CAL117-2013 - pass  
BS 5852 Crib5 - on request

## Stock Versions



1104263815 Black  
1104263538 Natural Oak  
1104263816 Red Brown  
1104263814 Warm Grey  
1104269361 Dark Stained Beech  
1104269360 White Oiled Beech

## Customisation Options

### Frame and backrest options



### Leather qualities (seat only or fully upholstered)



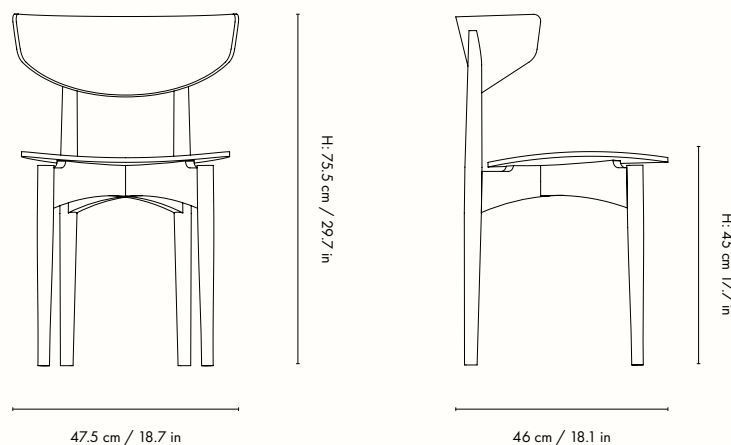
### Fabric qualities (seat only or fully upholstered)



To see the specifications of each fabric and available colour assortment please go to the fabric and leather overview. Felt Gliders must be ordered separately against price supplement.  
For fully upholstered version the seat and backrest must have same fabric and leather qualities.



## Measurements





# Herman Dining Chair - Steel Frame

Design by Herman Studio

## Product details

Manufactured in Latvia  
Registered design

## Dimensions

Height: 75 cm / 29.5 in  
Width: 47 cm / 18.5 in  
Depth: 46 cm / 18.1 in  
Seat height: 45 cm / 17.7 in  
Weight: 4.8 kg / 10.6 lb (without upholstery)  
5 kg / 11 lb (seat upholstered)

## Materials and construction

Backrest/seat: White oiled oak, dark stained oak, walnut or painted ash veneer  
Upholstered seat: Birch veneer upholstered with PU foam and fabric or leather  
Frame: Black powder coated steel  
Glides: Plastic or felt glides  
FSC™ Mix certified wood

## Care

Please see fermiving.com for care and maintenance instructions

## Packsize

2

## Attention

Maximum amount of dining chairs to be stacked: 10  
This seating is tested to meet relevant strength and durability standards  
Tests are based on a person's weight of 110 kg / 242 lb

## Test

EN 16139:2013  
Furniture - Strength, durability, stability and safety  
Requirements for non-domestic seating

## Foam fire rating:

CAL117-2013 - pass  
BS 5852 Crib5: on request

## Stock Versions



## Customisation Options

### Backrest and seat options



### Leather qualities (seat only)



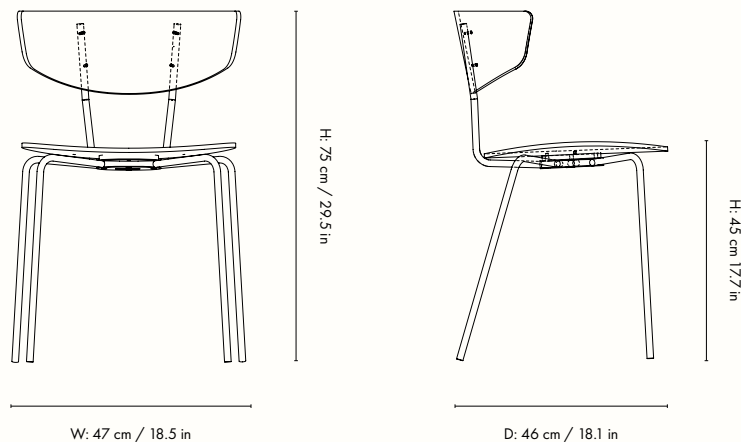
### Fabric qualities (seat only)



To see the specifications of each fabric and available colour assortment please go to the fabric and leather overview. Felt Gliders must be ordered separately against price supplement



## Measurements





# Herman Counter Chair

Design by Herman Studio

## Product details

Manufactured in Latvia  
Registered design

## Dimensions

Height: 87 cm / 34.3 in  
Width: 39.6 cm / 15.5 in  
Depth: 39.4 cm / 15.5 in  
Seat height: 64 cm / 25 in  
Weight: 4.9 kg / 10.8 lb (without upholstery)  
5.1 kg / 11.2 lb (seat upholstered)

## Materials and construction

Backrest/seat: White oiled oak or painted ash veneer  
Upholstered seat: Birch veneer upholstered with PU foam and fabric or leather  
Frame: Black powder coated steel  
Glides: Plastic or felt glide  
FSC™ Mix certified wood

## Care

Please see fermiving.com for care and maintenance instructions

## Packsize

1

## Attention

This seating is tested to meet relevant strength and durability standards  
Tests are based on a person's weight of 110 kg / 242 lb

## Test

EN 16139:2013

Furniture - Strength, durability, stability and safety  
Requirements for non-domestic seating

## Foam fire rating:

CAL117-2013 - pass

BS 5852 Crib5: on request



The mark of responsible forestry

## Stock Versions



9420  
Black



1104265494  
White Oiled Oak

## Customisation Options

### Backrest and seat options



### Leather qualities (seat only)

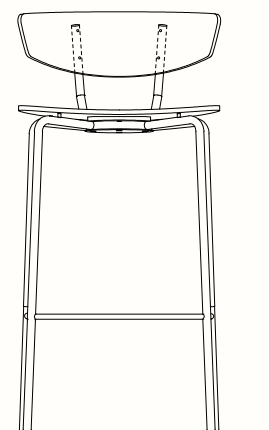


### Fabric qualities (seat only)

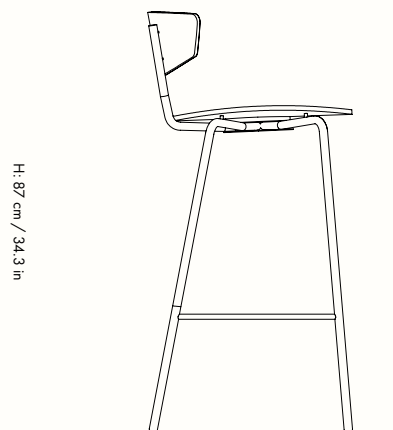


To see the specifications of each fabric and available colour assortment please go to the fabric and leather overview. Felt Gliders must be ordered seperately against price supplement

## Measurements



W: 39.5 cm / 15.6 in



D: 39.5 cm / 15.6 in

H: 87 cm / 34.3 in

H: 64 cm / 25.2 in



# Herman Bar Chair

Design by Herman Studio

## Product details

Manufactured in Latvia  
Registered design

## Dimensions

Height: 96 cm / 37.8 in  
Width: 40.5 cm / 15.7 in  
Depth: 43 cm / 16.9 in  
Seat height: 76 cm / 29.9 in  
Weight: 5.1 kg / 11.2 lb (without upholstery)  
5.3 kg / 11.7 lb (seat upholstered)

## Materials and construction

Backrest/seat: White oiled oak or painted ash veneer  
Upholstered seat: Birch veneer upholstered with PU foam and fabric or leather  
Frame: Black powder coated steel  
Glides: Plastic or felt glide  
FSC™ Mix certified wood

## Care

Please see fermiving.com for care and maintenance instructions

## Packsize

1

## Attention

This seating is tested to meet relevant strength and durability standards.  
Tests are based on a person's weight of 110 kg / 242 lb

## Test

EN 16139:2013  
Furniture - Strength, durability, stability and safety  
Requirements for non-domestic seating

## Foam fire rating:

CAL117-2013 - pass  
BS 5852 Crib5: on request

## Stock Versions



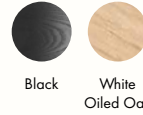
9421  
Black



1104265495  
White Oiled Oak

## Customisation Options

### Backrest and seat options



### Leather qualities (seat only)



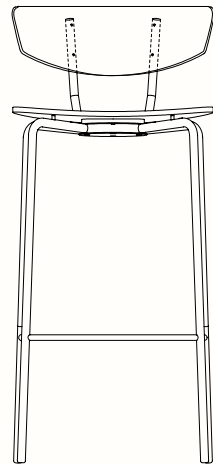
### Fabric qualities (seat only)



To see the specifications of each fabric and available colour assortment please go to the fabric and leather overview. Felt Gliders must be ordered separately against price supplement

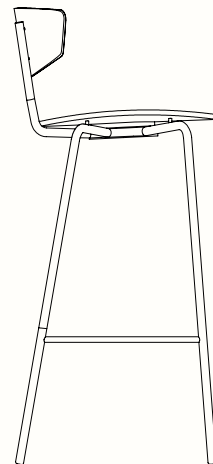


## Measurements



W: 40.5 cm / 15.9 in

H: 95.9 cm / 29.1 in



D: 42.8 cm / 16.9 in

H: 76.2 cm / 30 in



# Herman Lounge Chair

Design by Herman Studio

## Product details

Manufactured in Latvia  
Registered design

## Dimensions

Height: 68 cm / 26.8 in  
Width: 68 cm / 26.8 in  
Depth: 60 cm / 23.6 in  
Seat height: 37 cm / 14.6 in  
Weight: 6.9 kg / 15.2 lb (without upholstery)  
7.3 kg / 16.1 lb (seat upholstered)

## Materials and construction

Backrest/seat: Painted ash veneer  
Upholstered seat: Birch veneer upholstered with PU foam and fabric or leather  
Frame: Black powder coated steel  
Glides: Plastic or felt glide  
FSC™ Mix certified wood

## Care

Please see fermiving.com for care and maintenance instructions

## Packsize

1

## Attention

This seating is tested to meet relevant strength and durability standards.  
Tests are based on a person's weight of 110 kg / 242 lb

## Test

EN 16139:2013

Furniture - Strength, durability, stability and safety  
Requirements for non-domestic seating

## Foam fire rating:

CAL117-2013 - pass

BS 5852 Crib5: on request

## Stock Versions



9404  
Black

## Customisation Options

### Backrest and seat options



Black

### Leather qualities (seat only)



Leather  
Envy



Leather  
- Ultra

### Fabric qualities (seat only)



Bouclé



Grain



Tonus  
4



Hallingdal  
65



Soft  
Bouclé

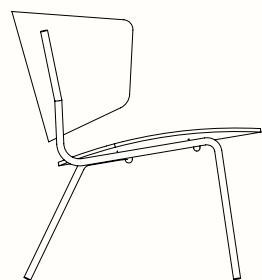
NEW

To see the specifications of each fabric and available colour assortment please go to the fabric and leather overview. Felt Gliders must be ordered seperately against price supplement



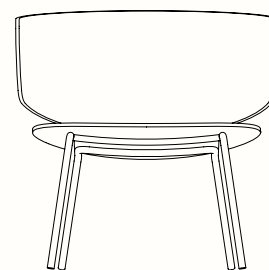
The mark of  
responsible forestry

## Measurements



D: 60 cm / 23.6 in

H: 37 cm / 14.6 in



W: 68 cm / 26.8 in

H: 68 cm / 26.8 in



# Herman Lounge Chair - Wooden Frame

Design by Herman Studio

## Product details

Manufactured in Latvia  
Registered design

## Dimensions

Height: 71 cm / 28 in  
Width: 72.5 cm / 28.5 in  
Depth: 64.5 cm / 25.4 in  
Seat height: 43 cm / 16.9 in  
Weight: 7.5 kg / 16.5 lb

## Materials and construction

Upholstered seat/back: Birch veneer upholstered with PU foam and fabric or leather  
Frame: Natural solid oak or painted solid ash  
Glides: Plastic or felt glides  
FSC™ Mix certified wood

## Care

Please see fermiving.com for care and maintenance instructions

## Packsize

1

## Attention

This seating is tested to meet relevant strength and durability standards. Tests are based on a person's weight of 110 kg / 242 lb

## Test

EN 16139:2013  
Furniture - Strength, durability, stability and safety  
Requirements for non-domestic seating

## Foam fire rating:

CAL117-2013 - pass  
BS 5852 Crib5: on request



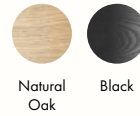
1104265573  
Natural Oak



1104265806  
Black

## Customisation Options

### Frame option



Natural Oak

Black

### Leather qualities (seat only)



Leather Envy

Leather - Ultra

### Fabric qualities (seat only)



Bouclé

Grain

Tonus 4

Hallingdal 65

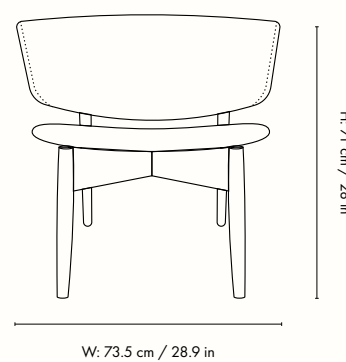
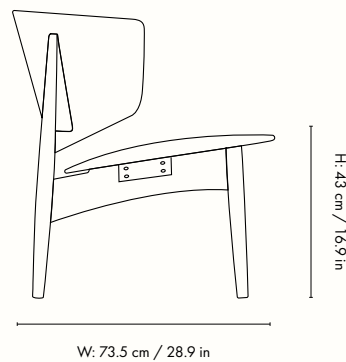
Soft Bouclé

NEW

To see the specifications of each fabric and available colour assortment please go to the fabric and leather overview. Felt Gliders must be ordered separately against price supplement



## Measurements





## Fabric and Leather Options

Herman Collection

### Price Group 1

Brushed	
Soft Bouclé	•

### Price Group 2

Faded Velvet	
Grain	•
Hot Madison	

### Price Group 3

Bouclé	•
Check	
Louisiana	
Nordic Bouclé	
Pasadena	

### Price Group 4

Confetti Bouclé	
Leather - Ultra	•
Rich Linen	
Tonus 4	•
Wool Bouclé	

### Price Group 5

Hallingdal 65	•
Leather - Envy	•

Separate overview available for UK and US



Space to feel comfortably you